

**General Introduction**

The MDVR series mobile digital video recorder is a compact, full-featured recording system that uses a Hard Drive as a storage device. The recorder unit and associated accessories are specifically designed for operation in a mobile environment.



The MDVR system, used in conjunction with the cameras, records up to four channels of full-motion video and audio data to a laptop type Hard Drive (2.5" SATA). The firmware-driven menu system provides a simple method for configuring the unit's operation as well as searching for and viewing previously recorded AV records.



**Key Features**

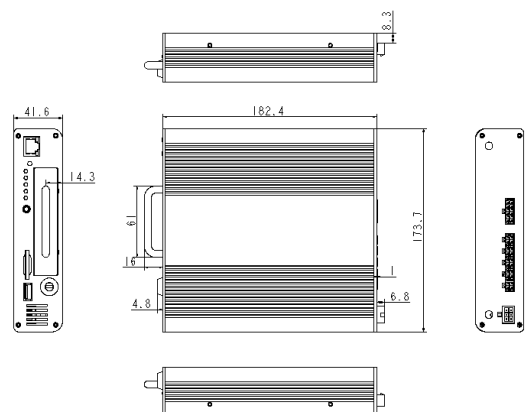
- Embedded operating system, assuring reliability and system integrity.
- Records up to four channels of full-motion color video with corresponding audio tracks.
- Power, AV input and output cables.
- H.264 High Profile video compression.
- Anti-vibration cradle / Lockable security enclosure selectable.
- Removable Hard Drive (up to 1TB, customer supplied).
- Front panel SD card port for recording to a SD card as an optional storage device.
- Ignition sense that provides DVR power-on in recording mode when the bus is started, power-off when the bus is shut-down with operator-selected delay times.



**Front Panel**



**Dimension (mm)**



**Back Panel**



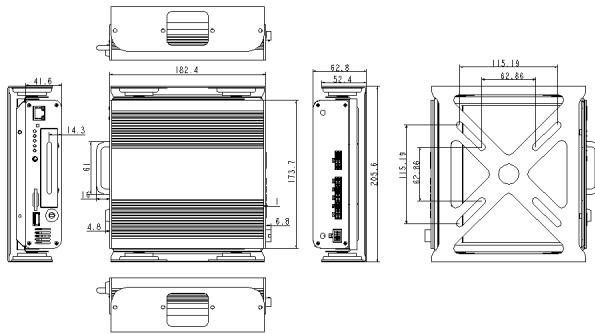
**Tamperproof Case**

**Included Items**

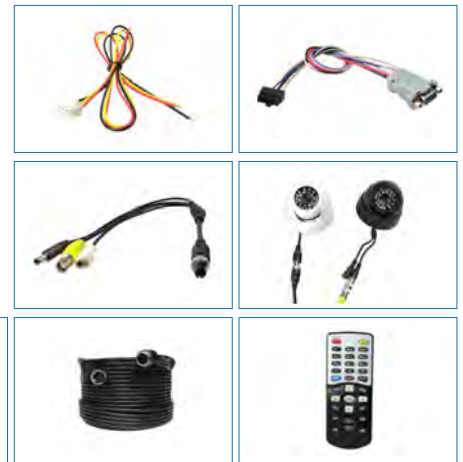


- *DVR*
- *Anti-vibration Cradle or Tamper-proof lockable enclosure*
- *Panel lock with (2) keys for locking the Hard Drive*
- *Power, AV input and output cable*
- *Sensor Cable*
- *Wireless remote controller*
- *Power input 2 amp fuses (2)*
- *Online / Offling Viewing Software*

**Optional Equipment**



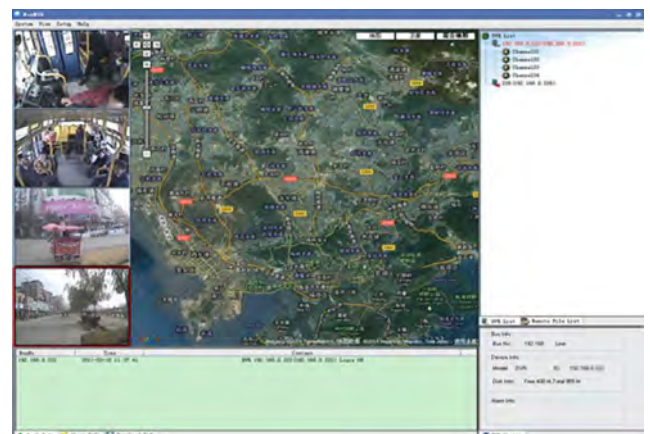
- *Event Button & Cable*
- *USB Reader*
- *GPS Receiver*
- *In Car Camera*
- *IR Extension Cable*
- *Hard Drive*
- *AV Extension Cable*
- *Wi-Fi Module*



**Viewing Software**

View audio, video, location, speed, and route during playback

Live view, files download, set DVR remotely, playback files remotely, and snapshot



## Specifications

	ITEM	MDR5015	MDR5025	MDR5045
<b>VIDEO</b>	<b>VIDEO INPUT</b>	1 channel	2 channels	4 channels
	<b>VIDEO OUTPUT</b>	1 channel, 1.0V, p-p, 75Ω, BNC		
	<b>VIDEO FORMAT</b>	Support PAL/NTSC		
	<b>VIDEO COMPRESSION</b>	H.264 High Profile		
	<b>RECORD RESOLUTION</b>	704x576(PAL)/ 704x480(NTSC)	1280x512(PAL)/ 1248x416(NTSC)	1280x1024(PAL)/ 1248x832(NTSC)
	<b>FRAME RATE</b>	25fps(PAL), 30fps(NTSC)	50fps(PAL), 60fps(NTSC)	100fps(PAL), 120fps(NTSC)
	<b>VIDEO BITRATE</b>	660Kbps ~ 1.5Mbps, 4 level video quality	1.32Mbps ~ 3Mbps, 4 level video quality	1.98Mbps ~ 4.5Mbps, 4 level video quality
<b>AUDIO</b>	<b>AUDIO INPUT</b>	1 channel	2 channels	4 channels
	<b>AUDIO INPUT FORMAT</b>	20KΩ, RCA		
	<b>AUDIO OUTPUT</b>	1 channel, 500Ω, RCA		
	<b>AUDIO LEVEL</b>	1V ~ 2V, p-p		
	<b>AUDIO COMPRESSION</b>	G.711		
<b>STORAGE</b>	<b>STORAGE</b>	Hard drive, SD card, external USB device(memory stick or hard drive)		
	<b>FILE FORMAT</b>	AVI		
<b>INTERFACE</b>	<b>SENSORS</b>	1 speed sensor, 1 ignition sensor, 3 sensors for brake, return etc.		
	<b>COM PORT</b>	2 RS232 port, 1 RS485 port		
	<b>NETWORK</b>	RJ45, 10M/100M Ethernet		
	<b>GPS</b>	Support GPS receiver(optional), can record GPS information along with video and audio. GPS data format: NEMA0183, Baudrate: 4800bps		
<b>SOFTWARE</b>	<b>PLAYER</b>	Specially designed player for the DVR		
	<b>THIRD PARTY SOFTWARE</b>	Windows Media Player(Ver 11.0 or above), VLC Media Player(Ver1.0.0 or above)		
<b>POWER</b>	<b>INPUT POWER</b>	From -10 Celsius degree ~ +60 Celsius degree		